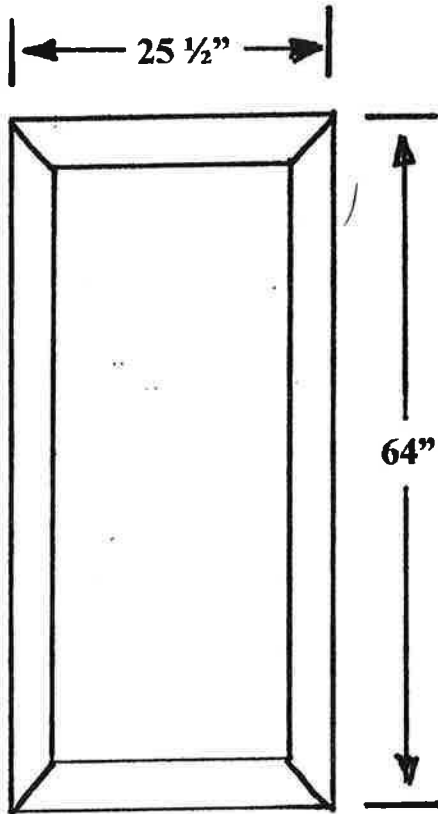


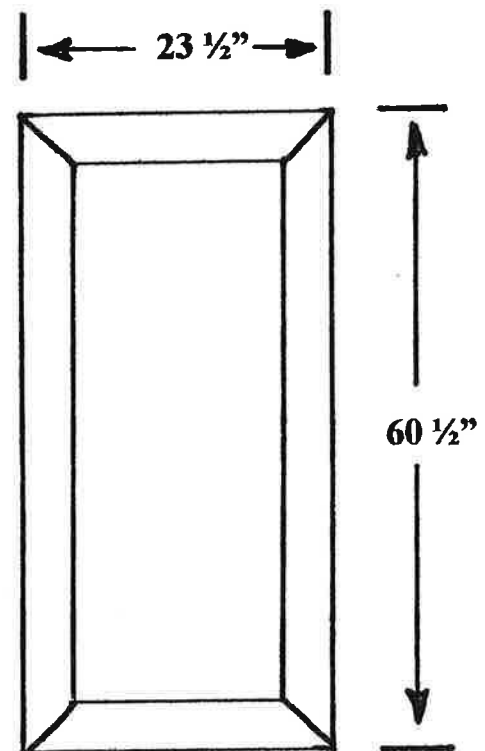
Side window dimensions of ground-level loft units:



Top window

* Inside measurements of window frame are: 18" x 56 1/2"

- ** Both windows may have glass split 50/50.
- ** Both windows may have privacy glass (obscure).
- ** Both frames must be ALMOND color.
- ** If original windows have wood framework, the wood frame must be retained with the new installation.
- ** Both vinyl window frame widths are 3 3/4", but may vary somewhat upon manufacturer.

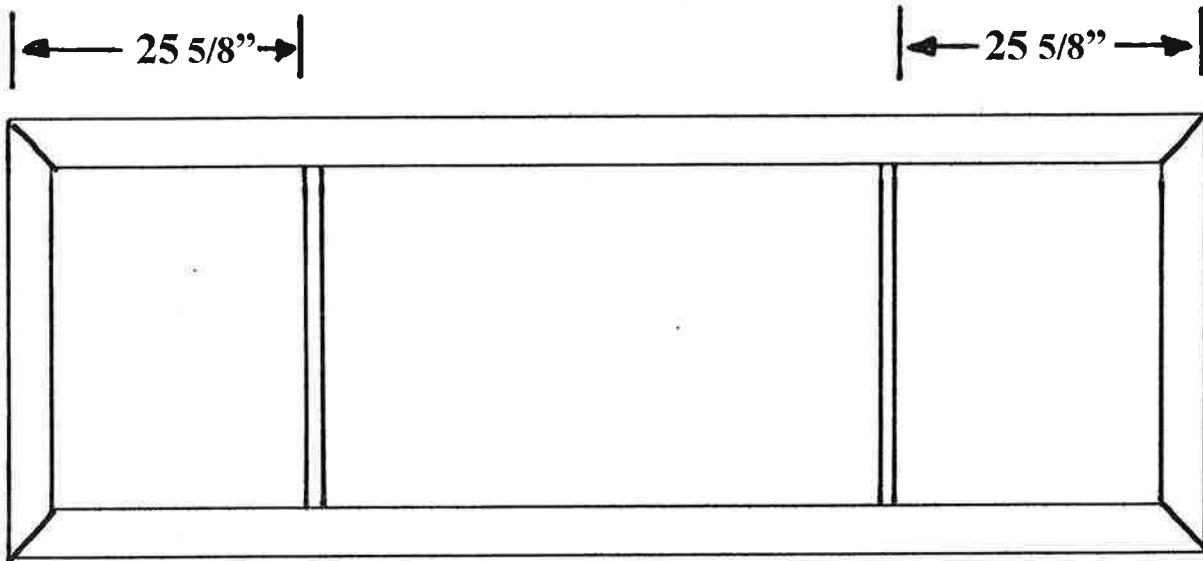


Bottom Window

*** Inside measurements of window frame are:
16" x 53"

Not to scale

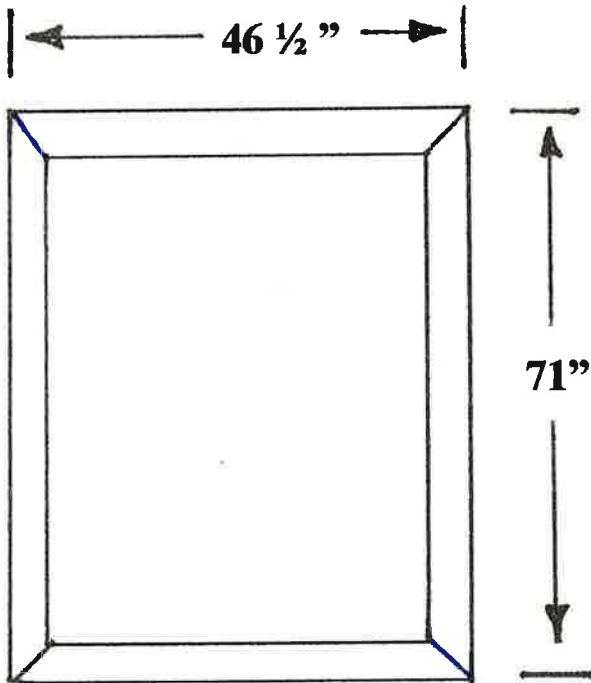
Dimensions of windows above glass doors in ground-level and second story loft units:



- * Vinyl window frame width is $3 \frac{3}{4}$ ", but may vary somewhat upon manufacturer.
- ** Vinyl frame color: ALMOND
- *** Inside measurements of ground-level loft window frame is: $112" \times 21 \frac{3}{4}"$.
- **** Inside measurements of second story loft window frame is: $118" \times 28 \frac{3}{4}"$.
- ***** The above window may be either one piece glass, or sliders as illustrated.

Not to scale

Dimensions for double pane bedroom windows:

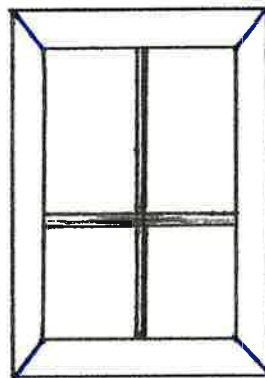


The window glass must be double pane, 60/40 proportion, single hung.

The vinyl window frame width is 3 3/4\" wide, but may vary depending upon manufacturer.

Inside measurements of window frame are: 39\" x 63 1/2\"

Vinyl frame color: almond



The vinyl horizontal sash divider is 1 1/2\" wide **.

The vertical grid divider gives a "4 cut" appearance.

** The exact position of the horizontal divider is dictated by Long Beach City Building Code which specifies the bottom window opening must be at least 24\" when open in order to meet egress requirements.

*** Window casing wood (Weathered Brown) is 1 5/8\" wide.